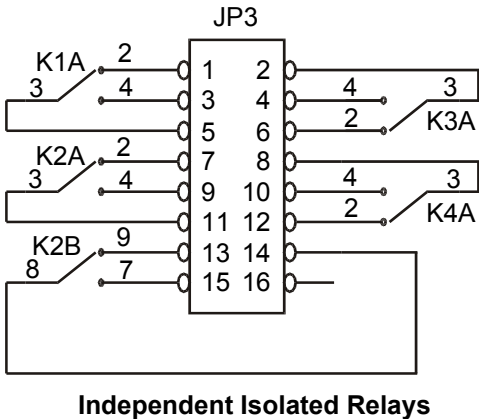
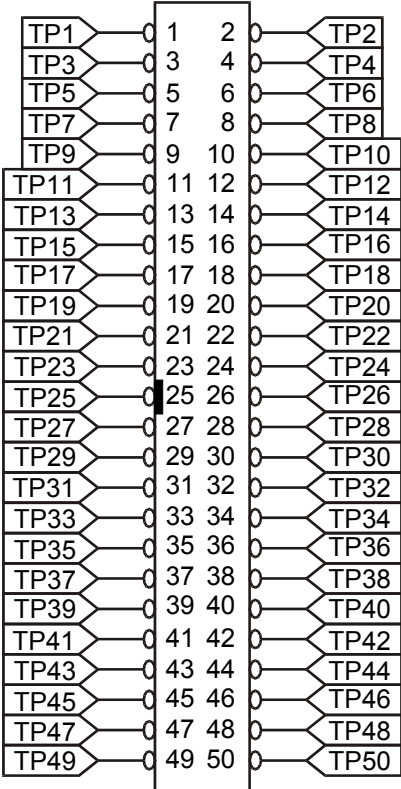


**TR-6-1 Module**  
 (Test Points 1-50 are on the rear panel connector)

# TR-6-1 Back Panel Connector



**Independent Isolated Relays**



**Back Panel Connector**