

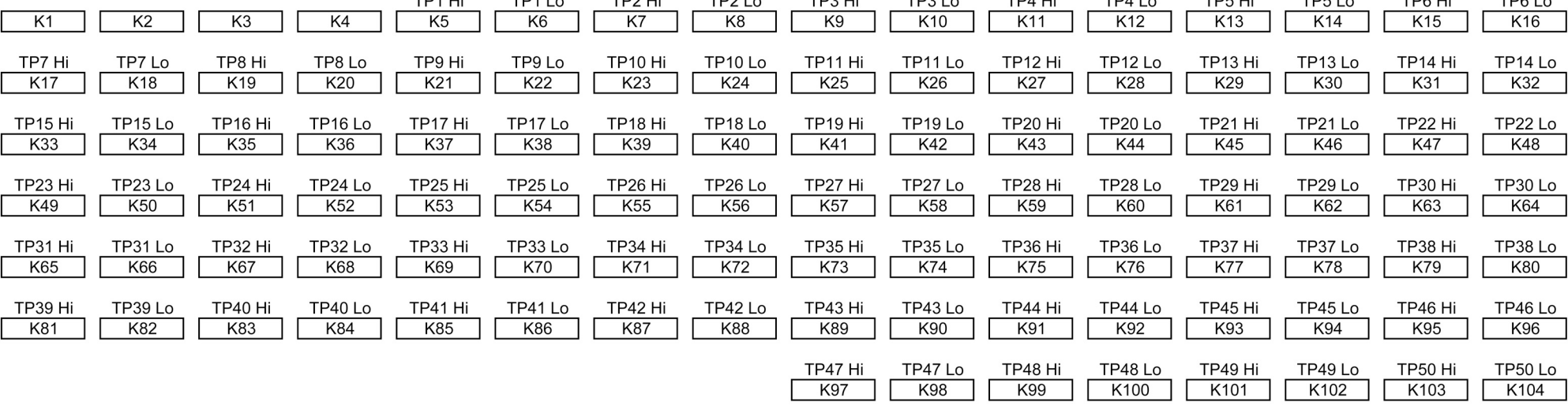
TR-6-1 Relay Module  
PWB PN 3800-027

# Checksum TR-6-1 Relay Module

(PWB PN 3800-027)

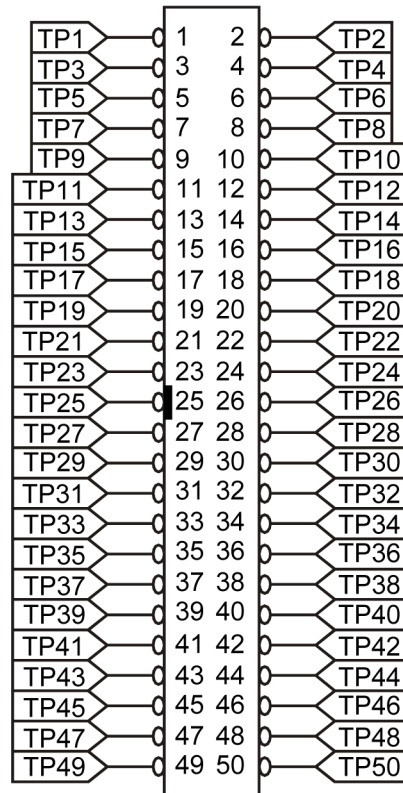
**JP3**

**JP2**

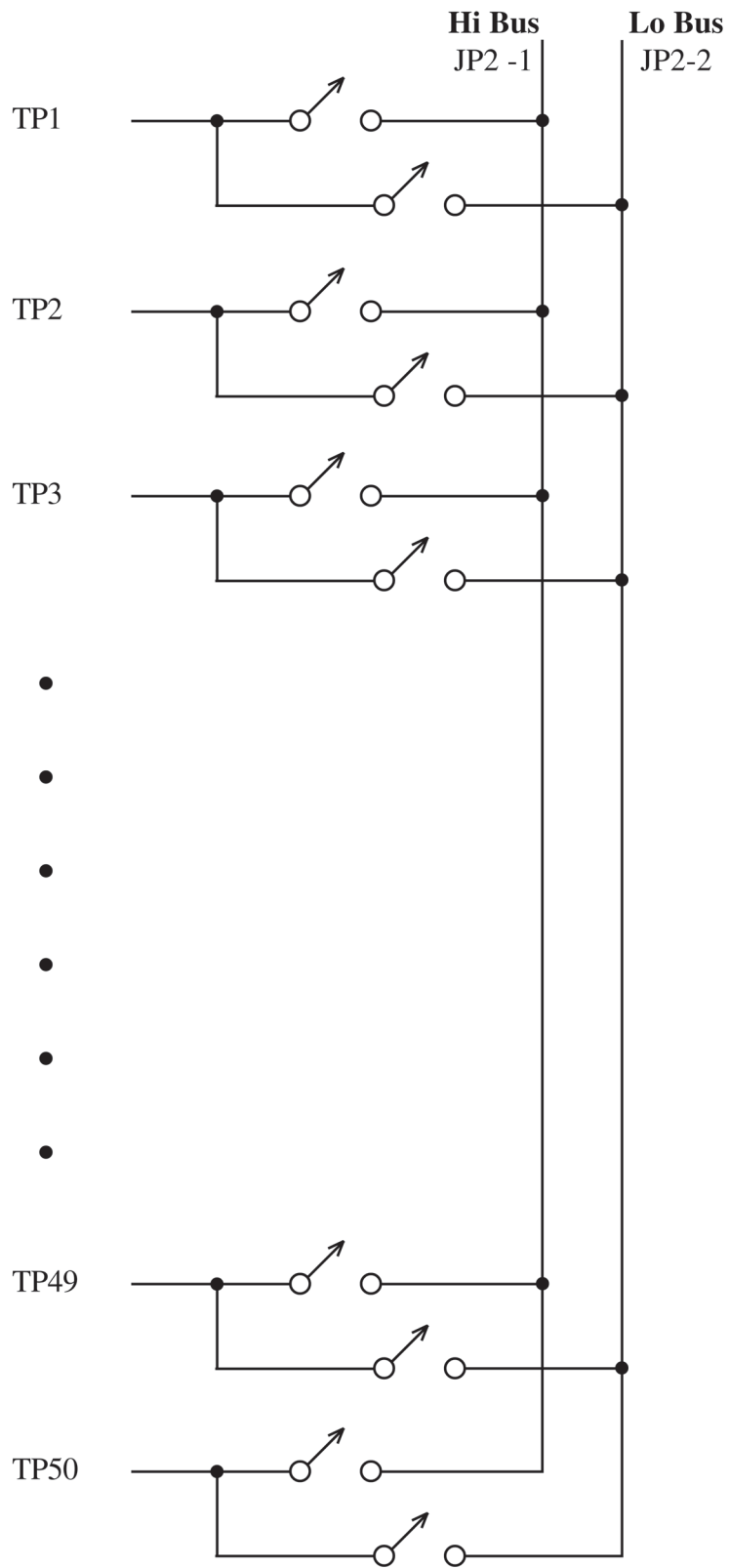


Top View

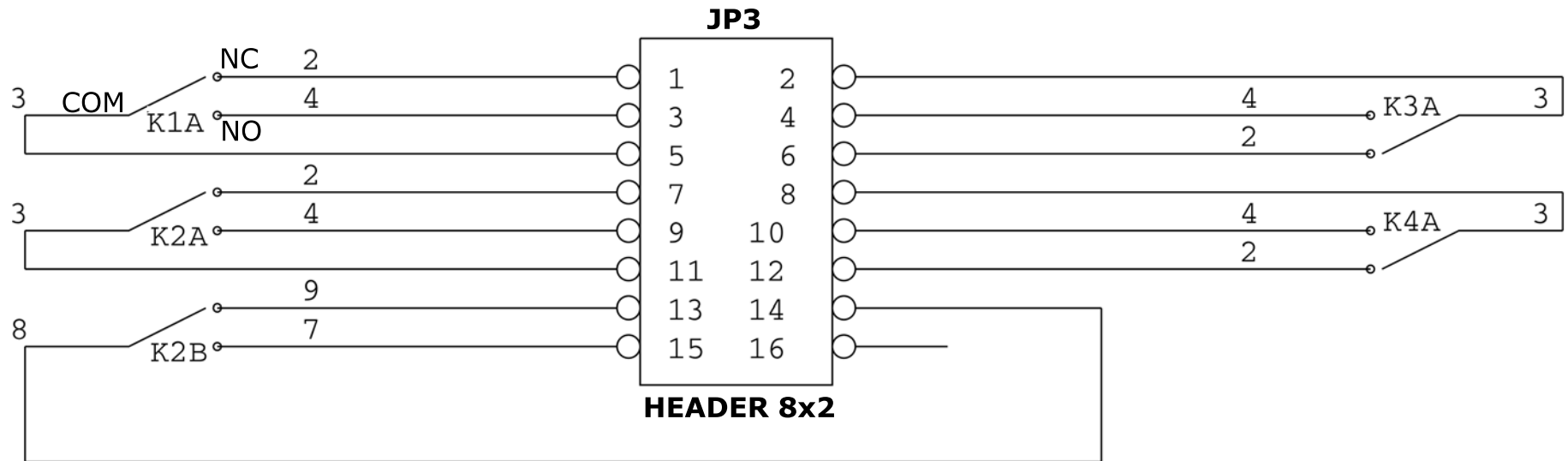
## TR-6-1 Back Panel Connector



Back Panel Connector



**TR-6-1 Module**  
 (Test Points 1-50 are on the rear panel connector)

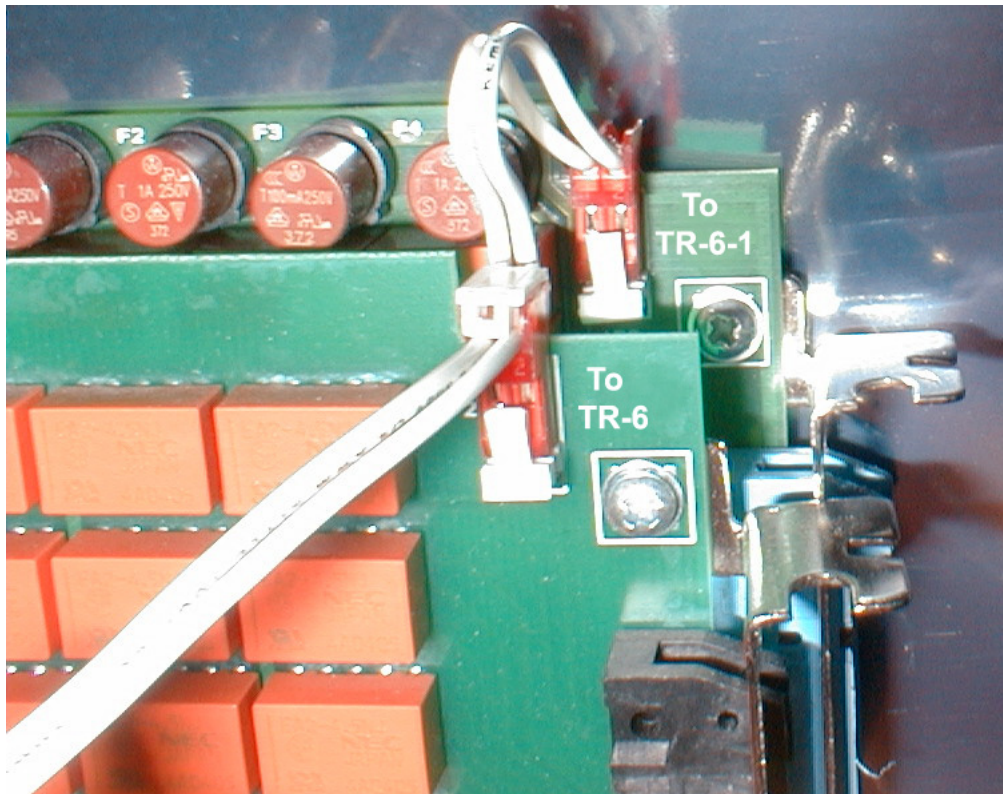


**TR-6-1 Independent Isolated Relays**

K1A = Relay 1, K2A & K2B = Relay 2, K3A = Relay 3, and K4A = Relay 4

## TR-6-1 Relay Control Table

K1	Independent Relay 1		
K2	Independent Relay 2		
K3	Independent Relay 3		
K4	Independent Relay 4		
K5	TP1 Hi	K55	TP26 Hi
K6	TP1 Lo	K56	TP26 Lo
K7	TP2 Hi	K57	TP27 Hi
K8	TP2 Lo	K58	TP27 Lo
K9	TP3 Hi	K59	TP28 Hi
K10	TP3 Lo	K60	TP28 Lo
K11	TP4 Hi	K61	TP29 Hi
K12	TP4 Lo	K62	TP29 Lo
K13	TP5 Hi	K63	TP30 Hi
K14	TP5 Lo	K64	TP30 Lo
K15	TP6 Hi	K65	TP31 Hi
K16	TP6 Lo	K66	TP31 Lo
K17	TP7 Hi	K67	TP32 Hi
K18	TP7 Lo	K68	TP32 Lo
K19	TP8 Hi	K69	TP33 Hi
K20	TP8 Lo	K70	TP33 Lo
K21	TP9 Hi	K71	TP34 Hi
K22	TP9 Lo	K72	TP34 Lo
K23	TP10 Hi	K73	TP35 Hi
K24	TP10 Lo	K74	TP35 Lo
K25	TP11 Hi	K75	TP36 Hi
K26	TP11 Lo	K76	TP36 Lo
K27	TP12 Hi	K77	TP37 Hi
K28	TP12 Lo	K78	TP37 Lo
K29	TP13 Hi	K79	TP38 Hi
K30	TP13 Lo	K80	TP38 Lo
K31	TP14 Hi	K81	TP39 Hi
K32	TP14 Lo	K82	TP39 Lo
K33	TP15 Hi	K83	TP40 Hi
K34	TP15 Lo	K84	TP40 Lo
K35	TP16 Hi	K85	TP41 Hi
K36	TP16 Lo	K86	TP41 Lo
K37	TP17 Hi	K87	TP42 Hi
K38	TP17 Lo	K88	TP42 Lo
K39	TP18 Hi	K89	TP43 Hi
K40	TP18 Lo	K90	TP43 Lo
K41	TP19 Hi	K91	TP44 Hi
K42	TP19 Lo	K92	TP44 Lo
K43	TP20 Hi	K93	TP45 Hi
K44	TP20 Lo	K94	TP45 Lo
K45	TP21 Hi	K95	TP46 Hi
K46	TP21 Lo	K96	TP46 Lo
K47	TP22 Hi	K97	TP47 Hi
K48	TP22 Lo	K98	TP47 Lo
K49	TP23 Hi	K99	TP48 Hi
K50	TP23 Lo	K100	TP48 Lo
K51	TP24 Hi	K101	TP49 Hi
K52	TP24 Lo	K102	TP49 Lo
K53	TP25 Hi	K103	TP50 Hi
K54	TP25 Lo	K104	TP50 Lo



**Typical 2-wire bus between TR-6-1 modules and Functional Module (FUNC-2 / TR-6)**