

Analyst Series

High-Throughput Option

2 x Faster for multi-up panels

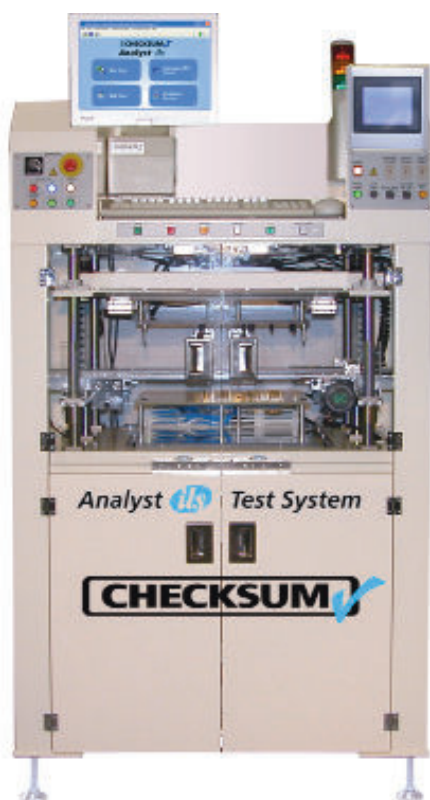
**Compatible with existing
Analyst series test systems**

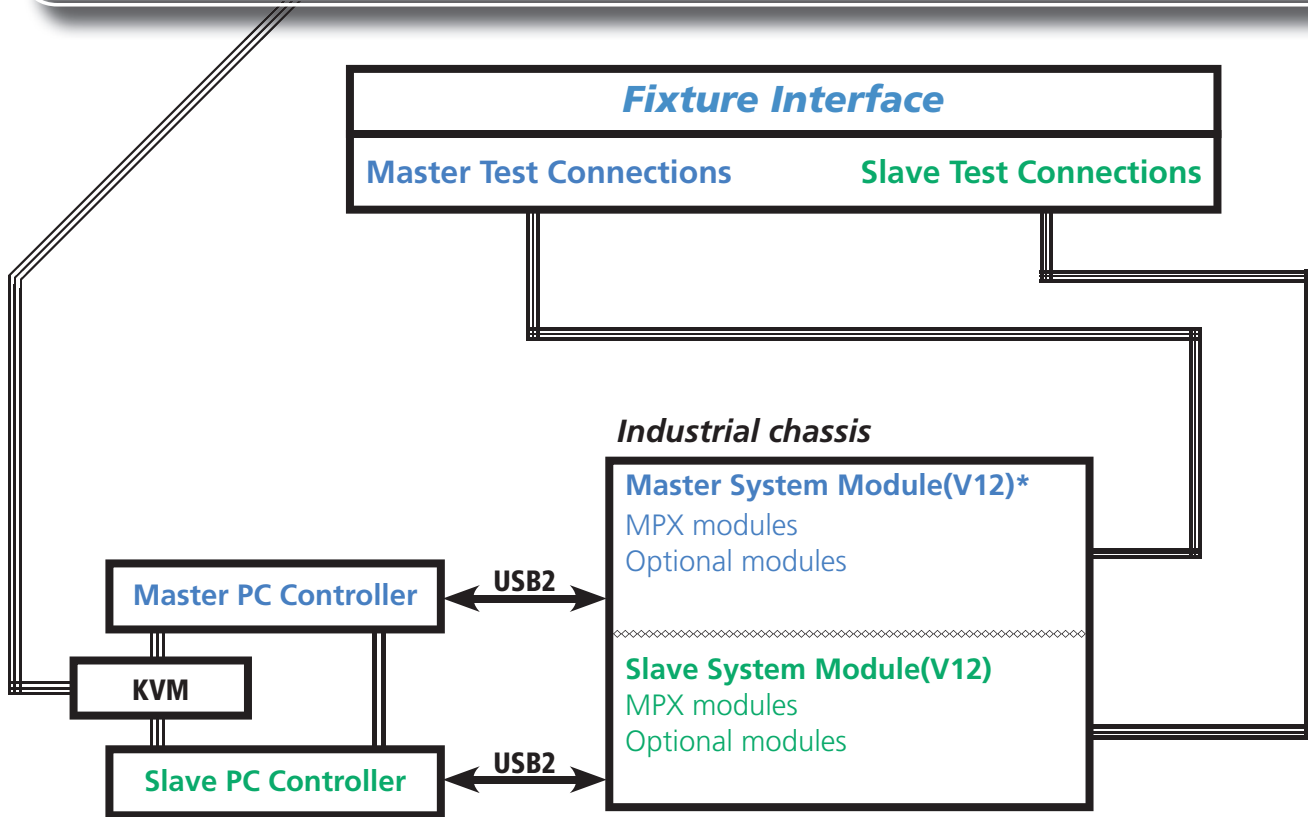
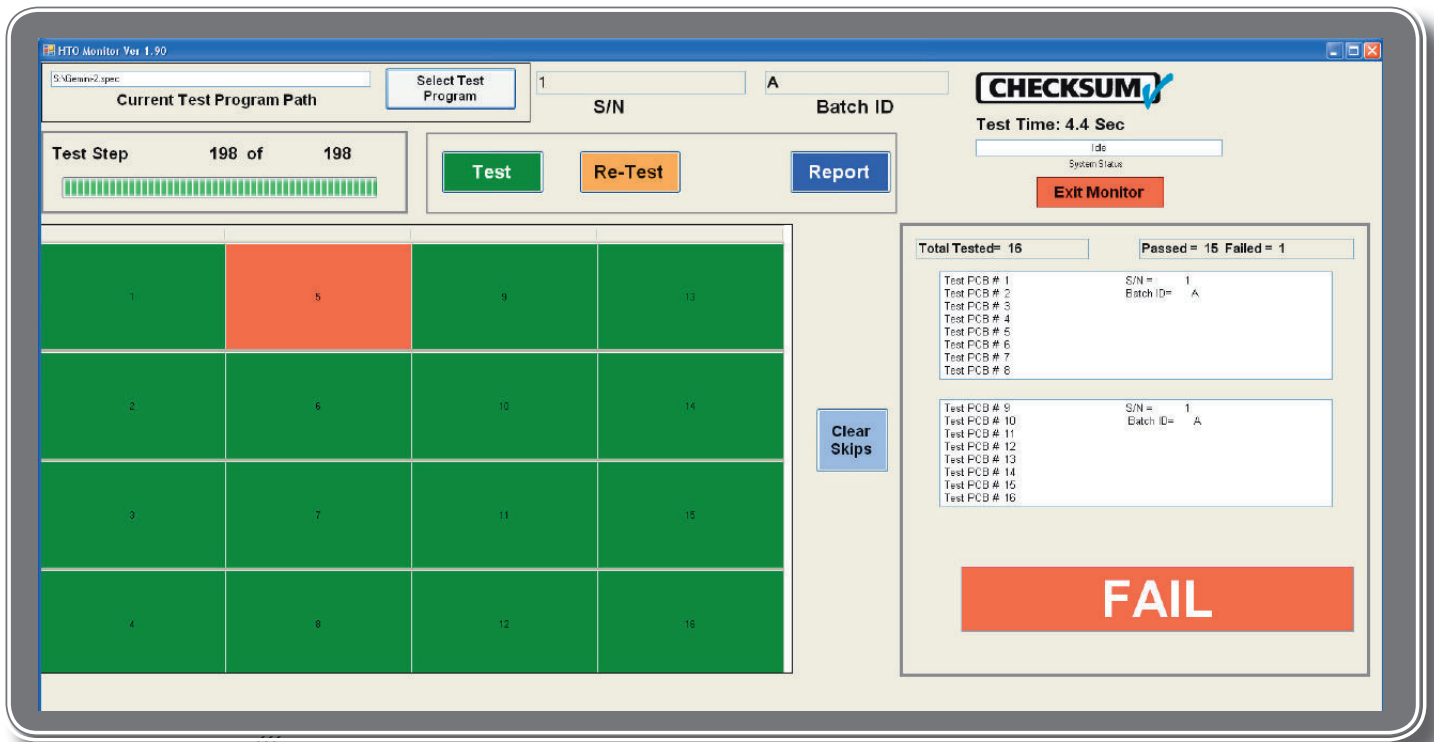
**Use existing fixtures with
minimal wiring additions**

**Upgrade your Analyst series
In-Line, TR-9, & 12KN test
systems**

Increase Production Output 100%

- Use your existing test system plus additional test resources*
- Use the validated test programs
- Test fixtures are updated with minimal wiring additions
- Same easy to use CheckSum software for new programs
- Simple operator interface for production test
- All of the standard CheckSum options and features are available
- MultiWriter[†] compliant for on-board, gang programming of multiple devices at same time on panel applications (up to 384 simultaneously)
- CheckSum support, a board test and part programming company for over 20 years





* V12 system cards required.
Contact CheckSum for details

CheckSum LLC
6120 195th Street NE
Arlington, WA 98223
Tel: 1.877.CHECKSUM
Tel: +1 360.435.5510
Fax: +1 360.435.5535
www.checksum.com



CheckSum and MultiWriter are trademarks of CheckSum LLC. Other product names are trademarks of their respective owners. Final appearance of the delivered product may vary from the photographs shown herein.

† MultiWriter Technology is protected under U.S. Patent No. 7,802,021.

©2016 CheckSum LLC. All rights reserved. Printed in the USA. 20160706